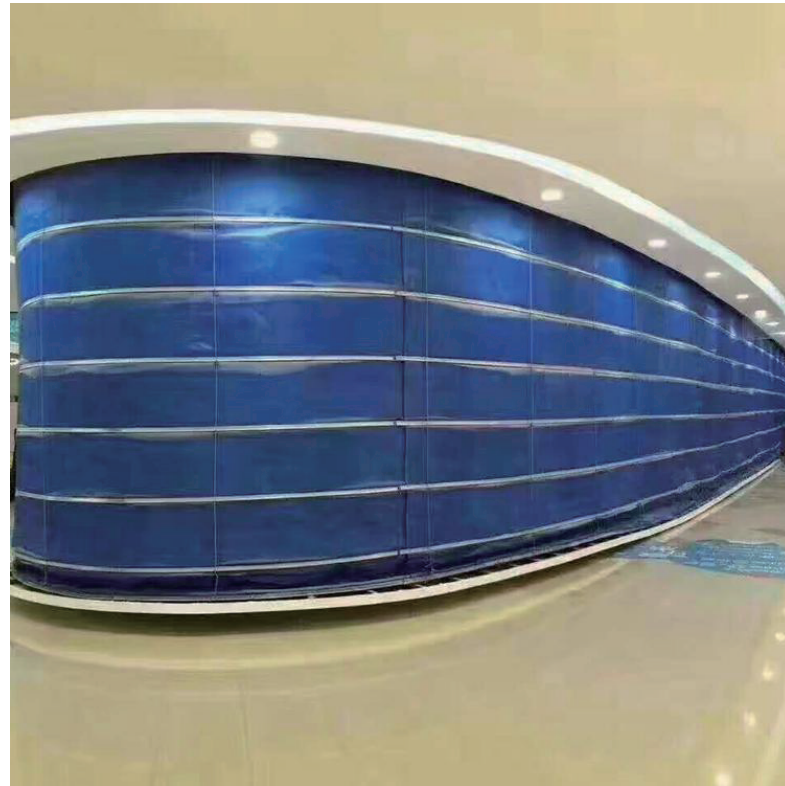
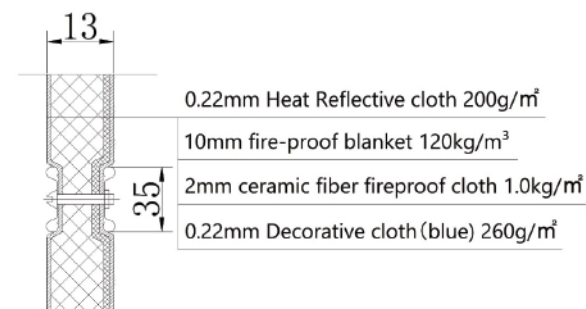


EI120 Inorganic folding curtain

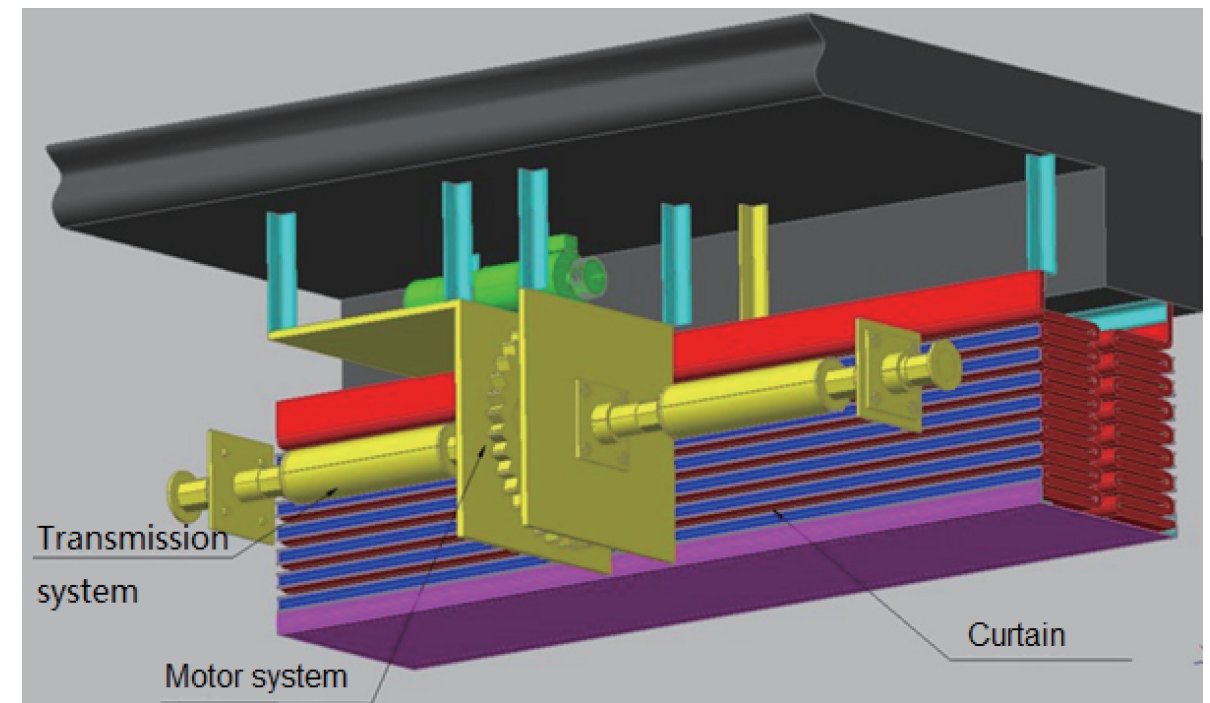
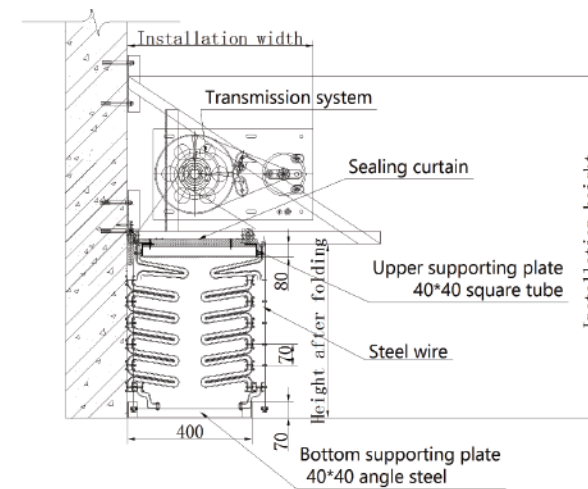
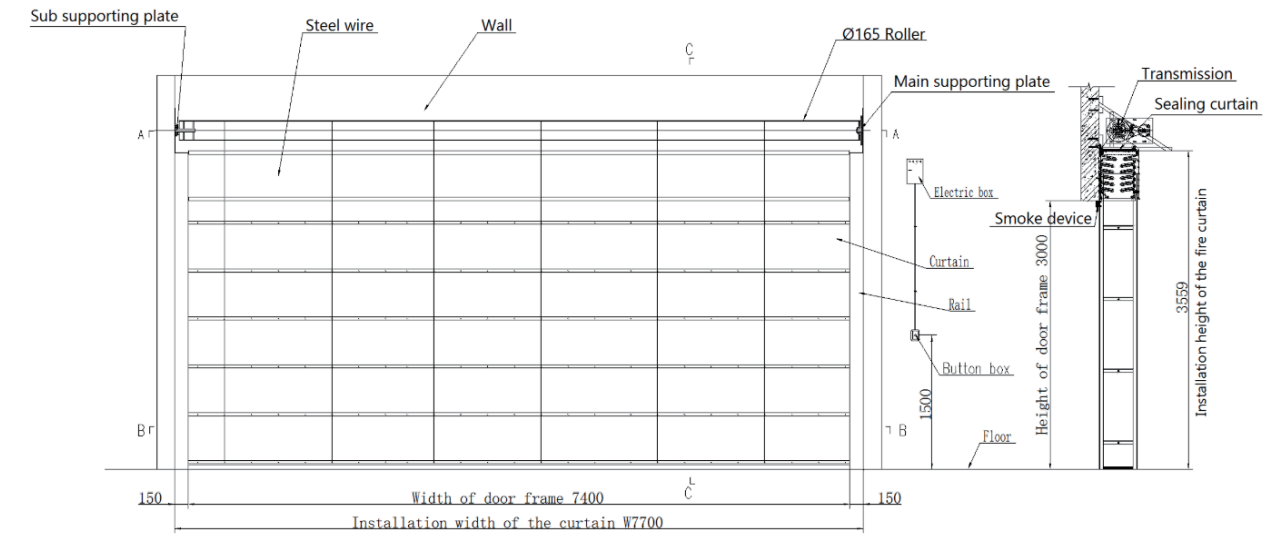
Suitable for the fireproof separated area in industrial, commercial and residential buildings, such as shopping mall, theater, industrial factories and libraries



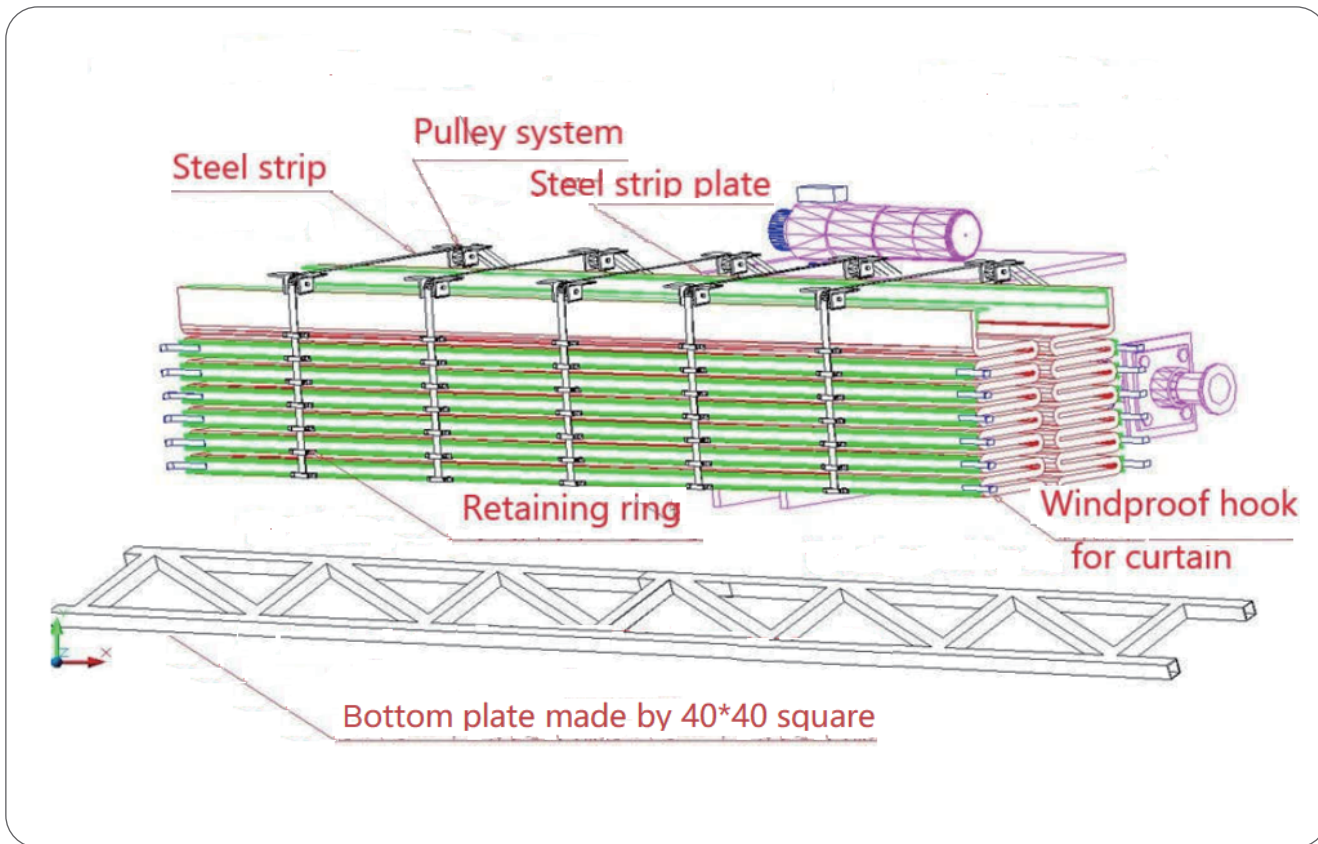
- *Fire resistance time: 2hours fire resistance integrity and heat insulation
- *Power supply of door rolling machine: 380V 50HZ, three-phase five-wire system
- *Motor power: 0.25~0.75 KW
- *Opening speed: 2~7m/min
- *Speed of weight drop < 9m/min



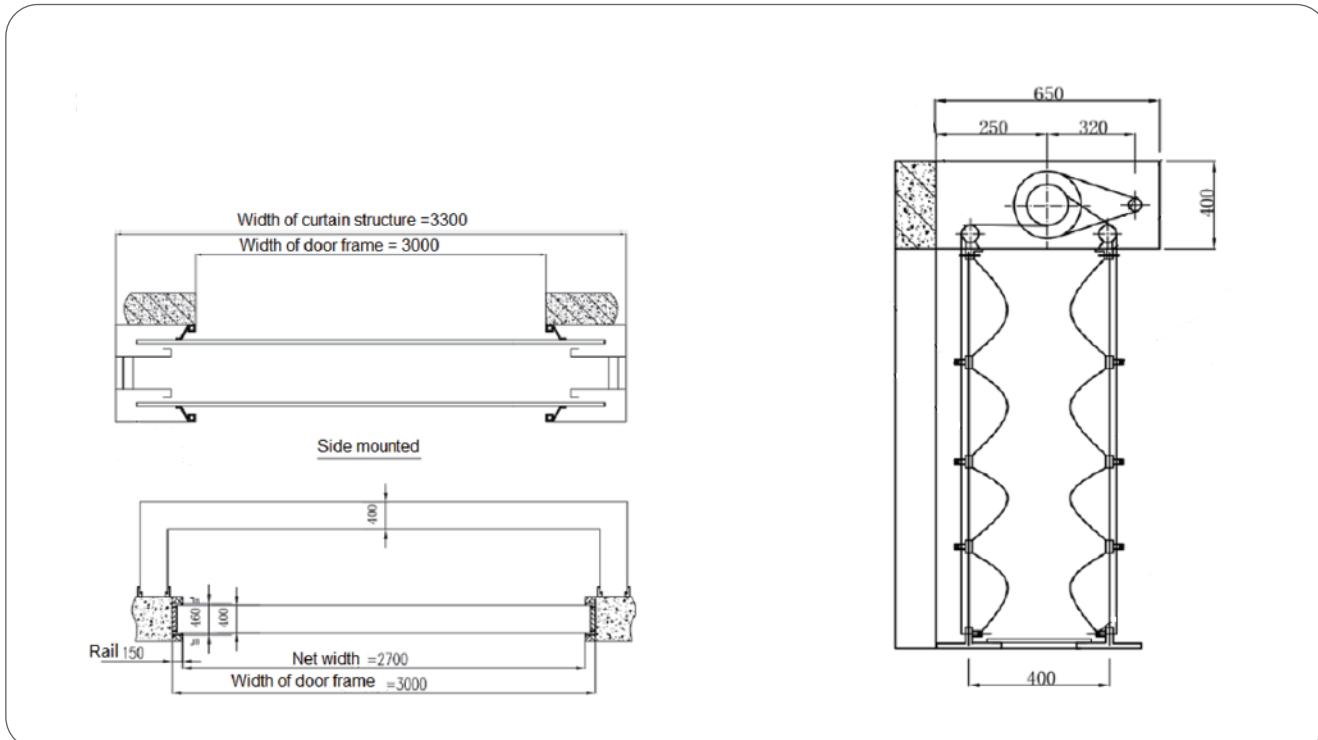
EI120min Curtain surface structure(Whole density about 4.5kg/m³)



Uplifting System



Installation Conditions/Space Reservation



Electric Cabinet

Main parameters:

- *Main power supply AC 380V±10-15% 50Hz±1%
- *Standby power supply: DC 24V/1.2Ah
- *Power of external motor is allowed: < 2KW
- *Capacity: DC 24V/500mA
- *Working environment: temperature -10℃ ~ +55℃
- *Relative humidity ≤95%
- *The atmospheric pressure is 85 ~ 106kPa
- *Dimensions: L240mm×W240mm×H70

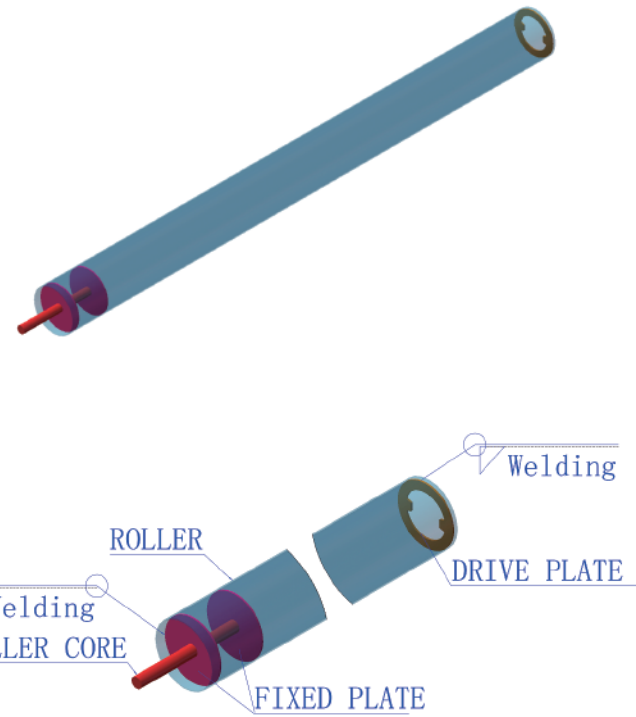
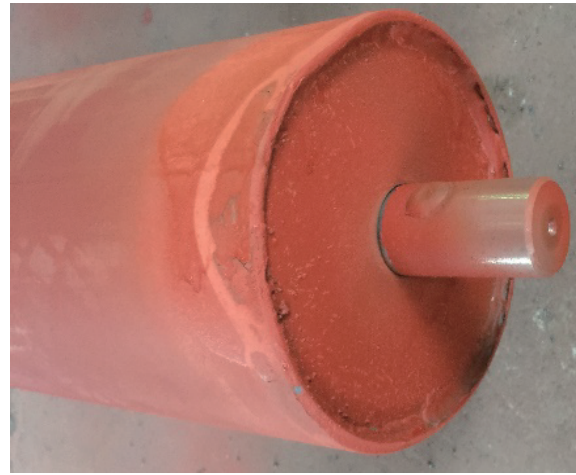
Fireproof Motor

- *Power supply: 380V 50HZ three-phase five-wire door rolling
- *Electric start and fall speed: 2 ~ 7.5m/min.
- *The speed of dead weight decrease is less than 9.5m/min
- *The average noise of rolling curtain operation: ≤ 60 decibels
- *Limit switch: the rolling curtain can automatically stop when opening and closing to upper and lower limit, and the tolerance of repeated positioning ≤20mm
- *Equipped with backup power supply and fuse breaker (automatic shutdown function in case of fire)
- *With self-weight constant speed drop function
- *The rolling curtain can stop at any position



Model	Motor	Curtain's weight	Engine power	input voltage	output torque
FJJ 335-3P-(QLZ1)	600kg	<450kg	250W	AC 380V 50Hz	335N.m
FJJ 750-3P-(QLZ)	800kg	450-600kg	320W	AC 380V 50Hz	750N.m
FJJ 750-3P-(QLZ)	1000kg	600-800kg	370W	AC 380V 50Hz	750N.m
FJJ 1100-3P-(QL)	1500kg	800-1200kg	800W	AC 380V 50Hz	1100N.m
FJJ 2450-3P-(QLZ)	2000kg	>1200kg	1500W	AC 380V 50Hz	2450N.m

Roller

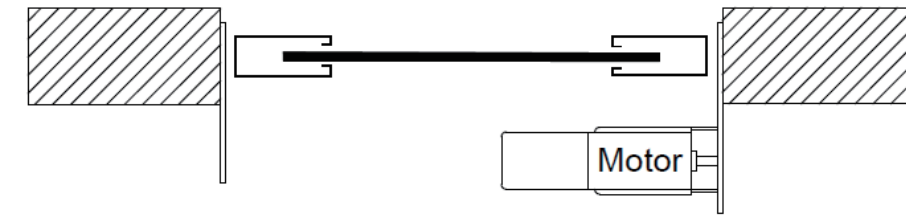


*The roller is made of electric welded steel pipe, welded with flange and core shaft according to the corresponding size, and the surface is painted with antirust paint.

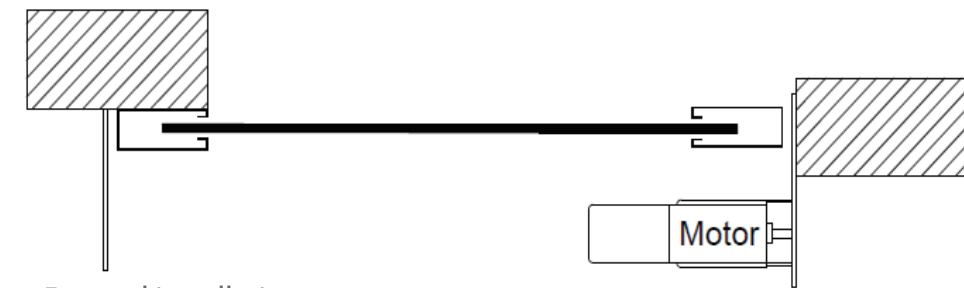
*Roller diameter is 140,165,219mm.

*The selection method is based on the requirements of the deflection value stipulated by the national standard: the deflection value is less than $1/400$ of the length of the roller, and different specifications

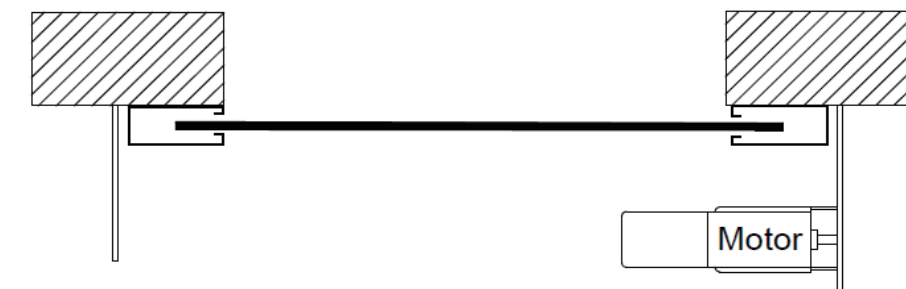
Installation Way



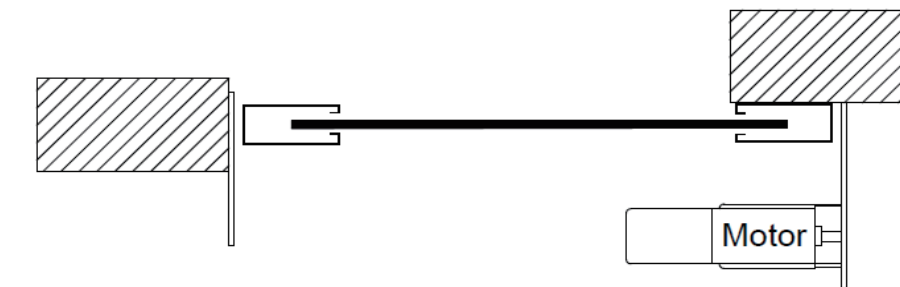
Internal installation



External installation



Internal and external



Internal and external

Shopping mall



PSJ is the fire curtain distributor of Assa Abloy in Vietnam
CÔNG TY CỔ PHẦN GIẢI PHÁP ĐỆ NHẤT
Địa chỉ: số 6, ngách 199/10, phố Thụy Khuê, Tây Hồ, Hà Nội.
VPGD: Phòng 501, tòa nhà Bắc Hà - HH2, số 15 đường Tố Hữu,
Thanh Xuân, Hà Nội.
Điện thoại: +84 24 3566 8788
Website: www.psj.com.vn
Email: anhlp@psj.com.vn

ASSA ABLOY
Opening Solutions

Experience a safer and more open world

assaabloy.com